



Web300

Fanless Modular Design POS Terminal

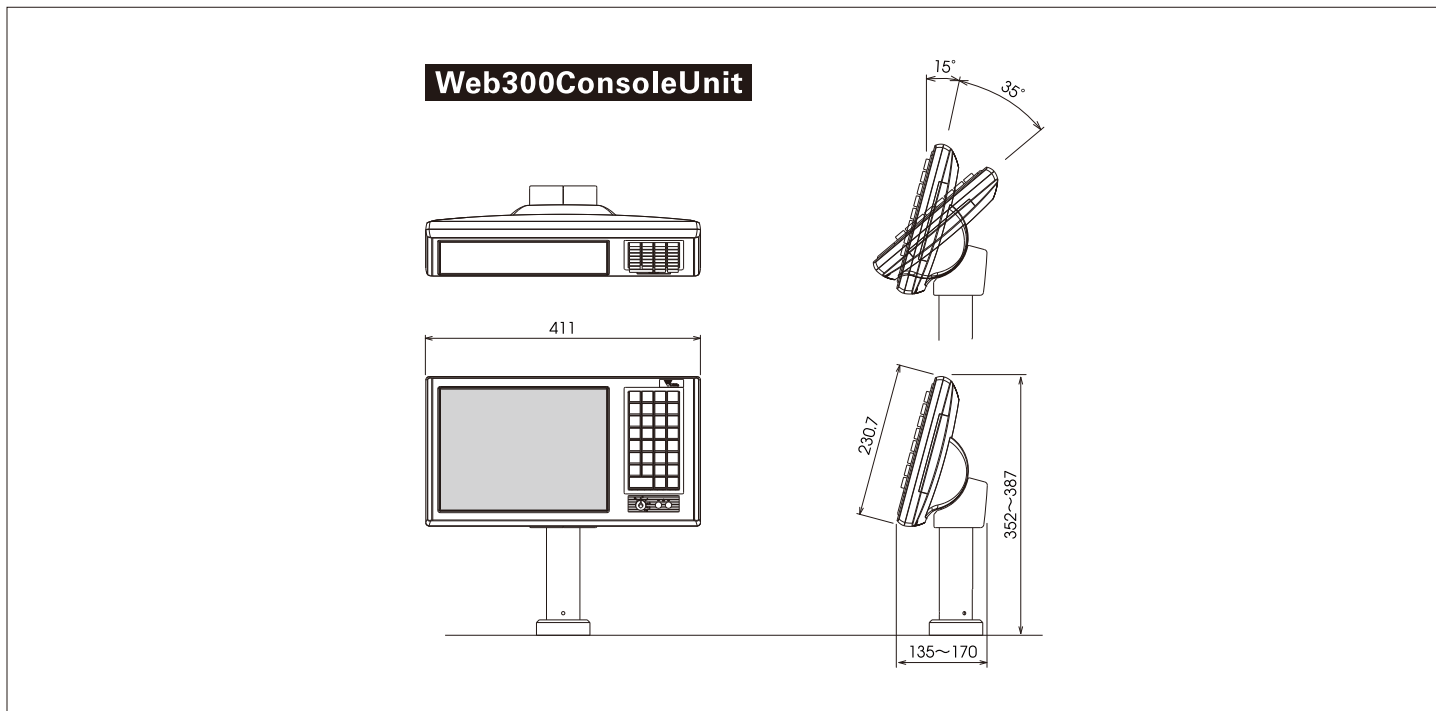
Designed for Harsh Environments with Reliable Industrial Components

Backed by 70 years of providing innovative solutions in the retail industry worldwide, DIGI is committed to consistently offering exciting products for the market!



*Searching for
a New Balance*

External Dimensions (mm)



Basic Specifications

Display	Display Type	Color TFT-LCD
	Size	12.1 inch
	Number of Pixels	800 x 600
Input	Touch Panel (optional)	12.1 inch (USB / Serial interface)
	Mechanical Keyboard	32 Keyboard
Optional Accessory	MSR	ISO Track1, Track2, Track3
Interface	DVI (LCD)	DVI Interface
	PS/2 (Mechanical Keyboard)	PS/2 Interface (Mini DIN)
OS	Power	D-SUB9pin Female (1Pin:12V, 9Pin:5V)
		WindowsNT Embedded / WindowsXP Embedded for POS
External Dimensions		16.18(W) x 1.38-6.69(D) x 13.86-45.24(H) inch [411(W) x 135-170(D) x 352-387(H) mm]
Weight		11 lb [5 kg]

TERAOKA SEIKO CO., LTD.

13-12 KUGAHARA 5-CHOME, OHTA-KU, TOKYO 146-8580 JAPAN
 TEL: +81-3-3752-0891 FAX: +81-3-3752-4777
 URL: <http://pos.teraoka.biz> URL: <http://www.digisystem.com>
 Email: pos@digi.jp

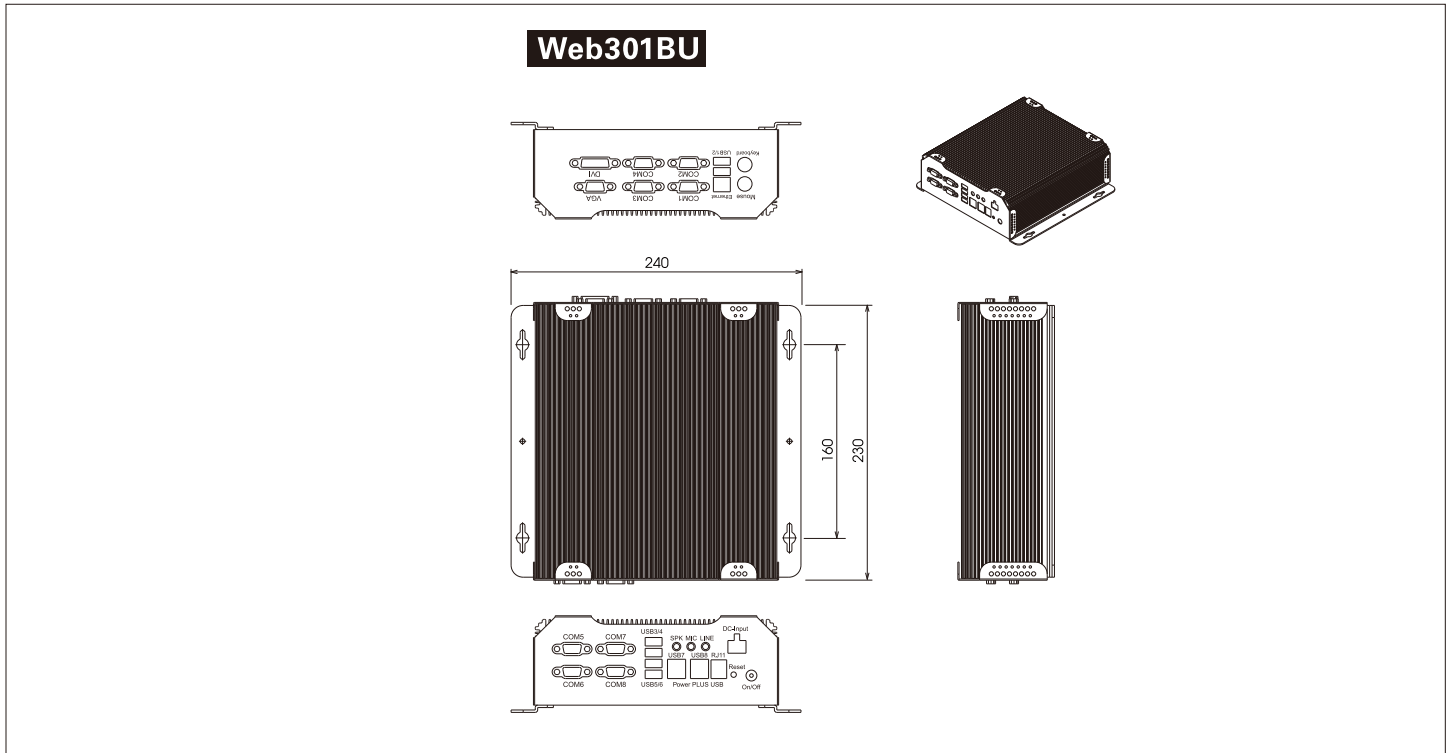
SHANGHAITERAOKA ELECTRONIC CO., LTD.

1ST FLOOR OF #2 BUILDING, JIA YUAN BUSINESS CENTER
 #51 LONG WU ROAD, SHANGHAI 200232, P.R. OF CHINA
 TEL: +86-21-6408-5151 FAX: +86-21-5490-4530
 URL: <http://www.digi-scale.com>



*Microsoft, Encarta, MSN, and Windows are either registered trademarks or trademarks of Microsoft Corporation in the United States and/or other countries.
 *The external designs and specifications are subject to change without notice.
 Please contact a company representative for confirmation and more detailed information.

External Dimensions (mm)



Basic Specifications

Main Unit	CPU	VIA Luke-Lite 1.0GHz
	Memory	184Pin DDR SDRAM
	Size	1GB
	Main Storage	2.5inch HDD 30GB or more
	Interface Transfer Rate (MB/sec)	Ultra DMA / 100 mode
	LAN	Ethernet 10 / 100 BASE-T x 1
External Interface	Serial	RS-232 x 4 (12V : Pin1, 5V/12V : Pin9)
		RS-232 x 4 (5V 12V : Pin9)
	USB	USB2.0 x 6
		Power Plus USB x 2 (12V)
	Cash Drawer	Cash Drawer x 1
	PS/2	PS/2 Keyboard and Mouse x 1
Audio	Mic-In / Line-In / Line-Out	
Display	VGA x 1 , DVI x 1	
OS	(Optional) WindowsXP Embedded for POS / Linux	
External Dimensions	8.07(W) x 9.45(D) x 2.95(H) inch	
	[205(W) x 240(D) x 75(H) mm]	
Weight	13.2 lb [6kg]	
Power Supply Voltage	Input : AC100 ~ 240 V	
	Output : 5Vsb(5A) / PsOn / GND / GND / 12V(5A) / 12V(5A) ATX Power	

TERAOKA SEIKO CO., LTD.

13-12 KUGAHARA 5-CHOME, OHTA-KU, TOKYO 146-8580 JAPAN
 TEL: +81-3-3752-0891 FAX: +81-3-3752-4777
 URL: <http://pos.teraoka.biz> URL: <http://www.digisystem.com>
 Email: pos@digijp

SHANGHAI TERAOKA ELECTRONIC CO., LTD.

1ST FLOOR OF #2 BUILDING, JIA YUAN BUSINESS CENTER
 #51 LONG WU ROAD, SHANGHAI 200232, P.R. OF CHINA
 TEL: +86-21-6408-5151 FAX: +86-21-5490-4530
 URL: <http://www.digi-scale.com>

*Microsoft, Encarta, MSN, and Windows are either registered trademarks or trademarks of Microsoft Corporation in the United States and/or other countries.
 *The external designs and specifications are subject to change without notice.
 Please contact a company representative for confirmation and more detailed information.