



WebCombo

All-in-One POS Terminal

**15" inch V-shape touch panel POS terminal.
Optional customer display, MSR and
printer for a complete all-in-one model!!**

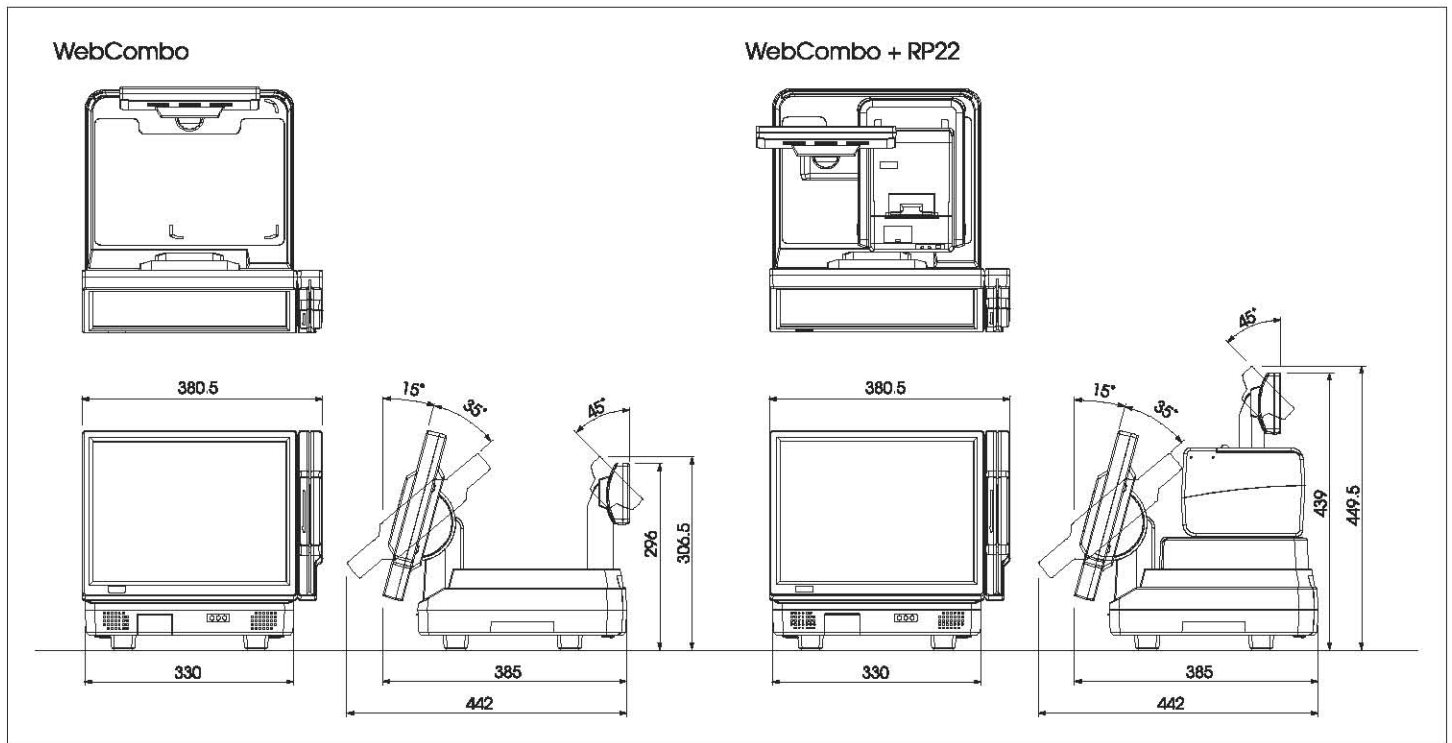
Backed by 70 years of providing innovative solutions in the retail industry worldwide,
DIGI is committed to consistently offering exciting products for the market!

WebCombo + RP22



***Searching for
a New Balance***

External Dimensions (mm)



Basic Specifications

Main Unit	CPU	Intel CeleronM 1.5GHz
	Memory	184Pin DDR SDRAM x 1
	Size	512MB (Up to 2.0GB)
	Main Storage	3.5 inch PATA HDD 80GB x 1(3.5 inch SATA HDD 80GB)
	PCI Slot	1 slot
	External Interface	SI/Ox5, USB2.0x5, Drawer x2, PS/2 keyboard x1, PS/2 mouse x1
	LAN	Ethernet 10/100 BASE-T x 1
Display	Display TYPE	Color TFT-LCD (XGA)
	Size	15inch
	Number of Pixels	1,024 x 768 pixels
	Customer Display	5 x 7 Dots 20 Characters 2Line
Printer (optional)	Printing System	Thermal Printer
	Printing Width	3.15 inch [80mm]
	Printing Speed	8.67 inch/sec [220 mm/sec]
	Function	Bit map LOGO stamp
MSR(optional)		ISO Track 1, Track2, Track3
Optional Accessory	2nd Display	TFT-LCD
	External Storage	CD-R/W Drive (USB Connection)
OS		Optional (WindowsXP Embedded For POS)
External Dimensions		13.00(W) x 15.17-17.41(D) x 12.14-13.51(H)inch
		[330(W) x 385-442(D) x 308-343(H) mm]
Weight		22 lb [10 kg]
Power Supply Voltage		AC100 ~ 240 V
Power Consumption		Max 140 W (AC100 V)

TERAOKA SEIKO CO., LTD.

13-12 KUGAHARA 5-CHOME, OHTA-KU, TOKYO 146-8580 JAPAN
 TEL: +81-3-3752-0891 FAX: +81-3-3752-4777
 URL: <http://pos.teraoka.biz> URL: <http://www.digisystem.com>
 Email: pos@digi.jp

SHANGHAI TERAOKA ELECTRONIC CO., LTD.

1ST FLOOR OF #2 BUILDING, JIA YUAN BUSINESS CENTER
 #51 LONG WU ROAD, SHANGHAI 200232, P.R. OF CHINA
 TEL: +86-21-6408-5151 FAX: +86-21-5490-4530
 URL: <http://www.digi-scale.com>

*Microsoft, Encarta, MSN, and Windows are either registered trademarks or trademarks of Microsoft Corporation in the United States and/or other countries.
 *The external designs and specifications are subject to change without notice.
 Please contact a company representative for confirmation and more detailed information.