



RP22

Mini Sized Thermal Printer

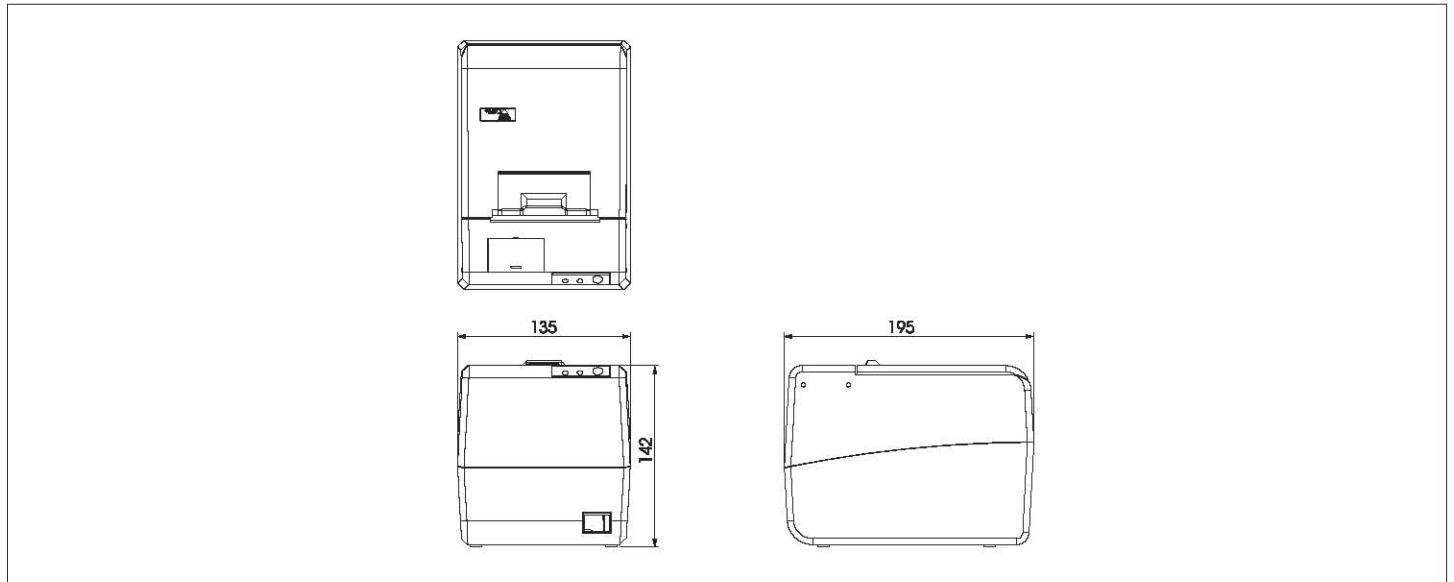
**Space saving, minimum installation space required,
communication via RS-232C or USB.**

Backed by 70 years of providing innovative solutions in the retail industry worldwide,
DIGI is committed to consistently offering exciting products for the market!



***Searching for
a New Balance***

External Dimensions (mm)



Basic Specifications

Print Method	Thermal line
Print Speed	8.67 inch/sec [220 mm/sec]
Font	12 x 24 / 8 x 16 Dot
Interface	RS-232(serial) / USB (optional) / LAN (optional)
Paper Width	3.15 (inch) *with Option parts it can be converted to 2.28 (inch) use. [80 (mm) *with Option parts it can be converted to 58 (mm) use.]
External Dimensions	5.322(W) x 7.68(D) x 5.59(H) inch [135(W) x 195(D) x 142(H) mm]
Power Supply Voltage	Input : AC100 ~ 240 V Output : DC 24 V / 3.7 A (AC adaptor)
Weight	3.3 lb [1.5kg]

TERAOKA SEIKO CO., LTD.

13-12 KUGAHARA 5-CHOME, OHTA-KU, TOKYO 146-8580 JAPAN
 TEL: +81-3-3752-0891 FAX: +81-3-3752-4777
 URL: <http://pos.teraoka.biz> URL: <http://www.digisystem.com>
 Email: pos@digi.jp

SHANGHAI TERAOKA ELECTRONIC CO., LTD.

1ST FLOOR OF #2 BUILDING, JIA YUAN BUSINESS CENTER
 #51 LONG WU ROAD, SHANGHAI 200232, P.R. OF CHINA
 TEL: +86-21-6408-5151 FAX: +86-21-5490-4530
 URL: <http://www.digi-scale.com>



*Microsoft, Encarta, MSN, and Windows are either registered trademarks or trademarks of Microsoft Corporation in the United States and/or other countries.
 *The external designs and specifications are subject to change without notice.
 Please contact a company representative for confirmation and more detailed information.